

Fig. 1

FOR THE PATENT OFFICE

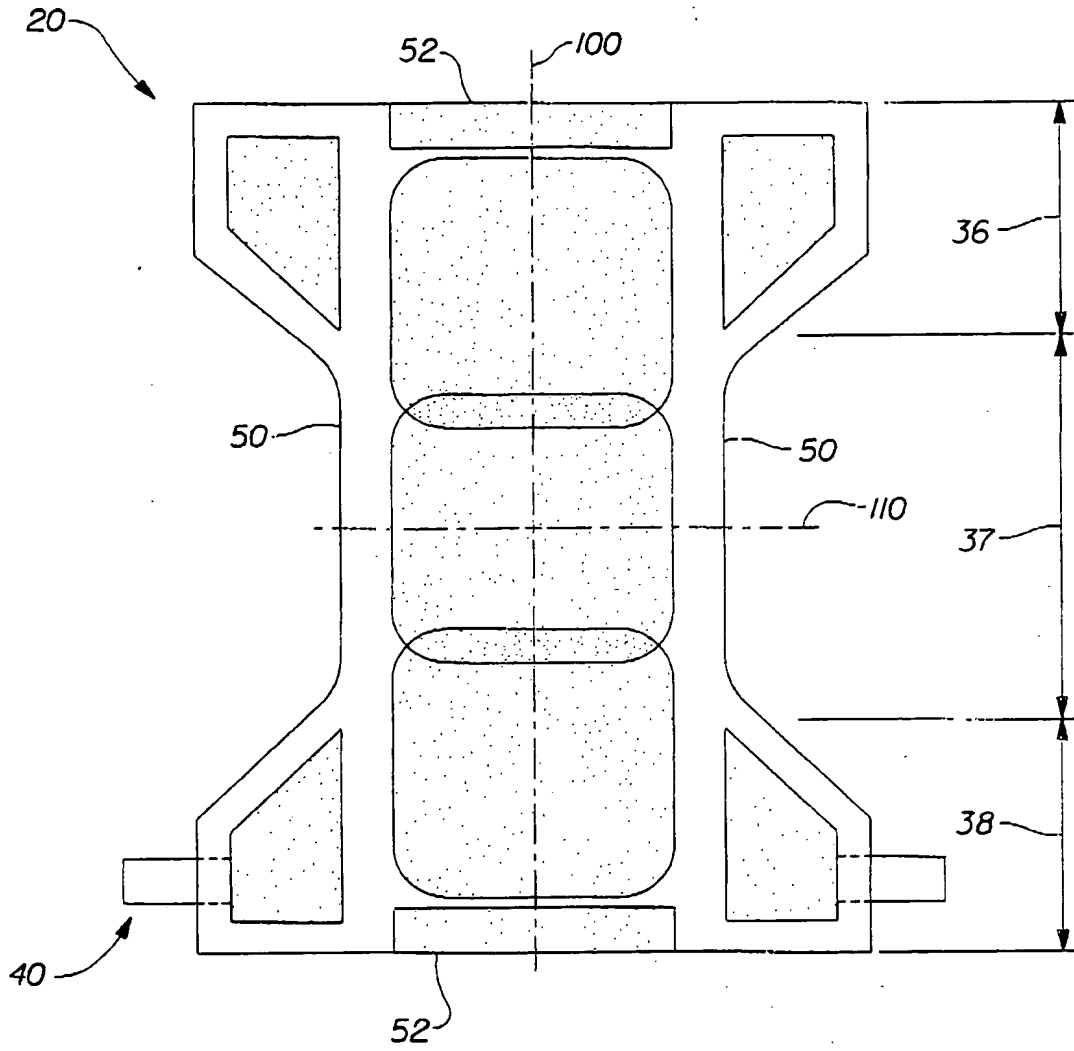


Fig. 2

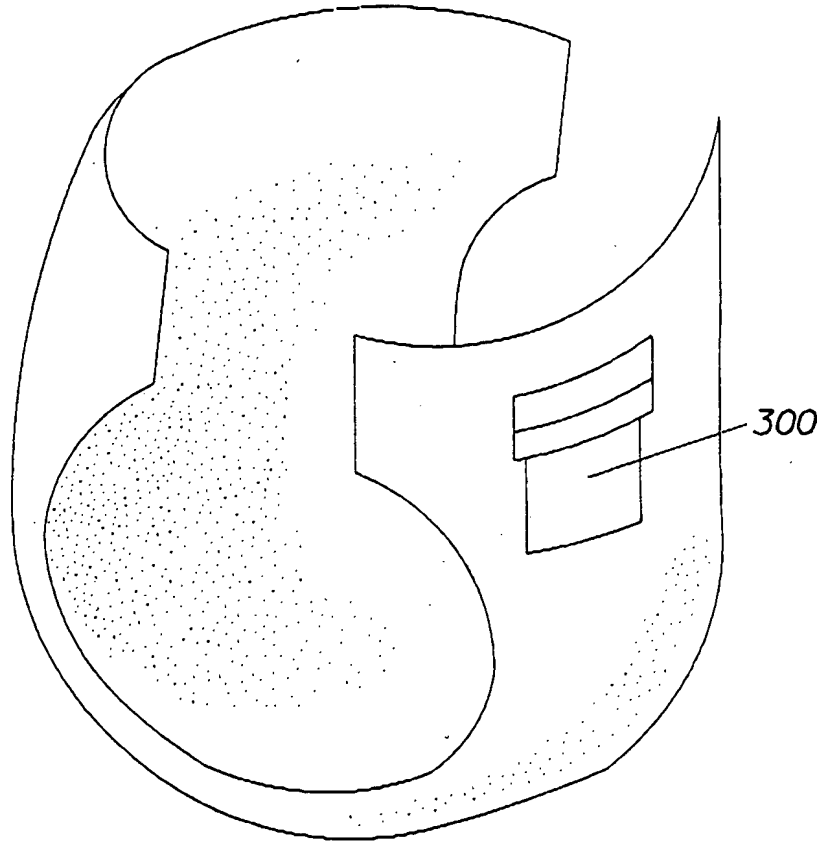
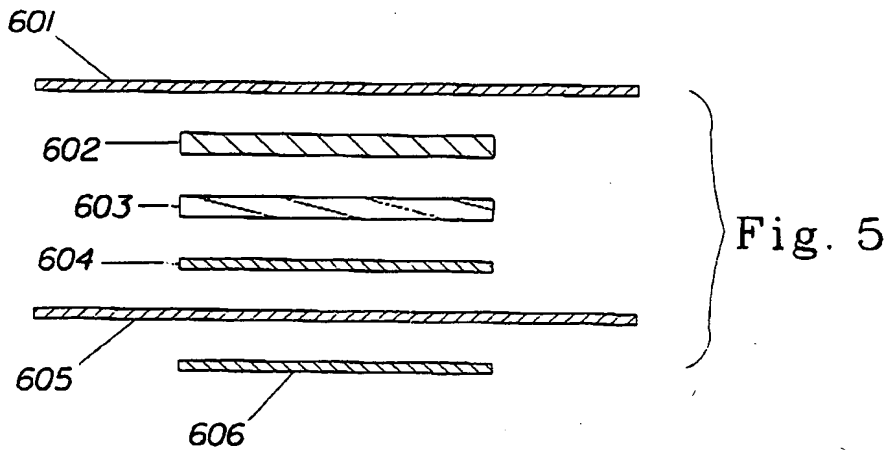
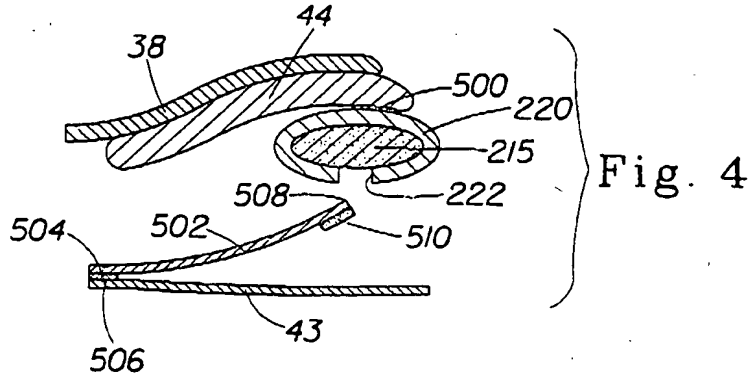


Fig. 3



FOR FILING